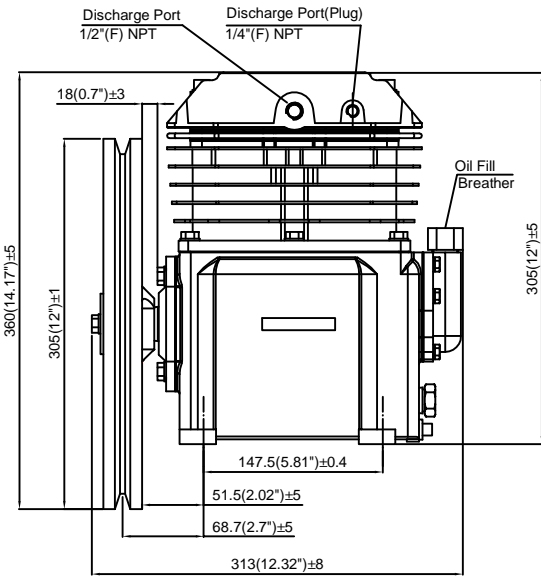
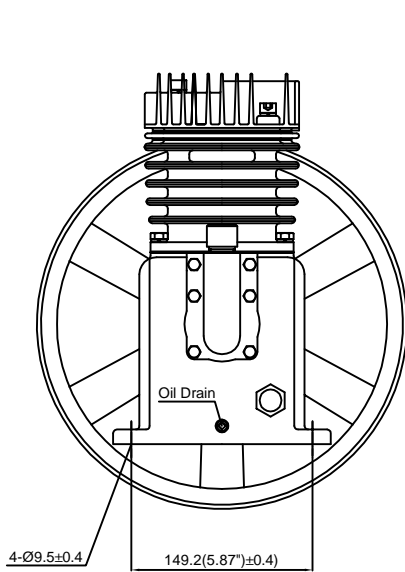
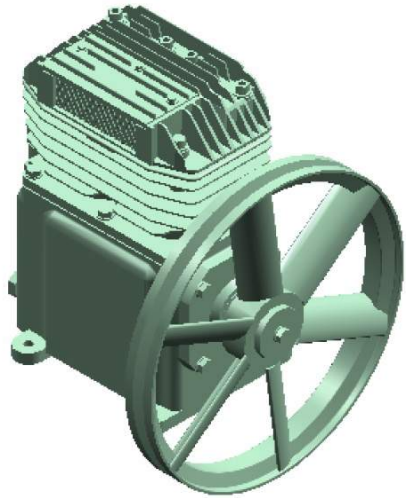


TRADE SECRET –CONFIDENTIAL AND PROPRIETARY
 EXCLUSIVELY OWNED BY LAPLANTE COMPRESSOR, LTD.,
 ANY COPYING, USE OR DISCLOSURE WITHOUT THE WRITTEN
 PERMISSION OF LAPLANTE COMPRESSOR, LTD. IS STRICTLY
 PROHIBITED. THIS MATERIAL IS PROTECTED UNDER
 TRADE SECRET AND UNFAIR COMPETITION LAWS. THE
 EXPRESSION OF THE INFORMATION IS PROTECTED UNDER
 FEDERAL COPYRIGHT LAWS. VIOLATIONS MAY RESULT IN
 CIVIL AND CRIMINAL FINES AND PENALTIES.



SPECIFICATIONS:

1. Power Range: 1.5 - 4.5HP / 1.0 - 3.51Kw
2. Maximum Pressure: 155 Psi / 10.69 Bar
3. Cylinder: 2
4. Bore : 2.95" / 75 mm
5. Stroke: 1.97" / 50mm
6. RPM Min / Max: 500 / 1400
7. Flywheel Dia. / Groove: 12" / 305 mm / 1A

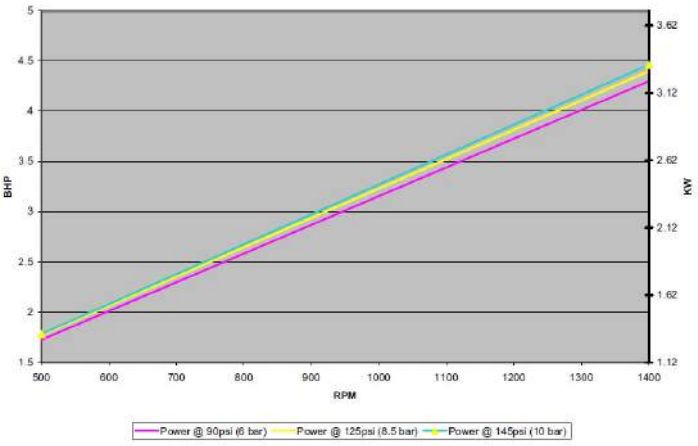
Features:

1. Cast Iron Crankcase
2. Cast Iron Cylinder
3. Aluminum Cylinder Head
4. Ductile Iron Crankshaft
5. Aluminum Conn. Rod
6. Bronze Bushings Wrist Pin
7. Babbitt Bearings Crankshaft
8. Ball Main Bearings
9. Steel Breather and Brass Sight Glass
10. Fill With ISO100 Lubricant Oil
11. Synthetic Lubricant as Optional

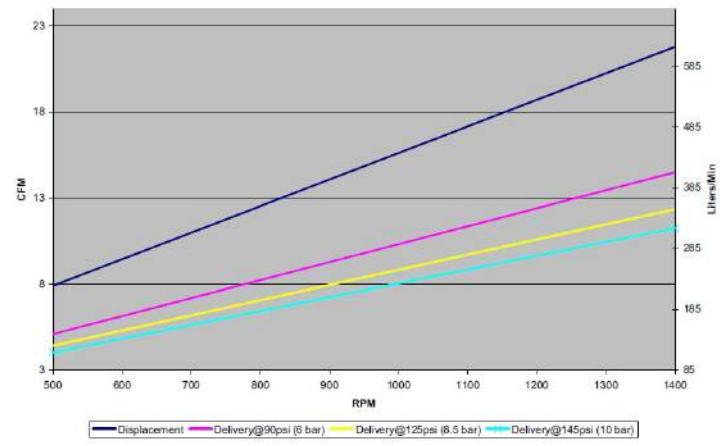
Standard Package:

1. Single: 1 pc, Weight: 52 Lbs / 23 Kg
- 2a. Pallet: 36 Pcs/ 1 Pallet
- 2b. 20' Container: 750 pcs; 40' Container: 950 pcs

LPS7550 Performance (Power)



LPS7550 Performance (Delivery)



Address : 1830 W. 15th Street Houston, TX 77008
 Telephone : (713) 635-6291
 Email : sales@ptexascompressor.com
 Website : www.LPTexasCompressor.com

TITLE
LPSS7550 Specifications